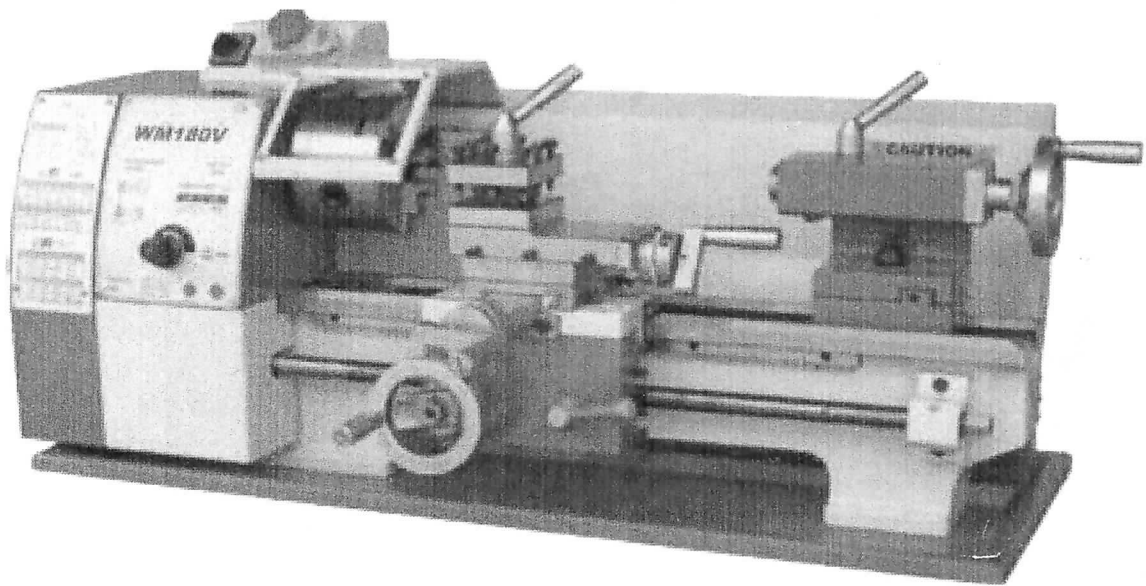


WM180V

OPERATOR'S MANUAL



AJ Engros

Sonderbrogade 89 7160 Tørring Denmark

Tlf: 75802276

Fax: 75802356

E-mail aj@engros.dk

Web www.ajengros.dk

NOTE

The information contained in this handbook is intended as a guide to the operation of these machines and does not form part of any contract. The data it contains has been obtained from the machine manufacturer and from other sources. Whilst every effort has been made to ensure the accuracy of these transcriptions it would be impracticable to verify each and every item. Furthermore, development of the machine may mean that the equipment supplied may differ in detail from the descriptions herein. The responsibility therefore lies with the user to satisfy himself that the equipment or process described is suitable for the purpose intended.

LIMITED WARRANTY

We Make every effort to assure that its products meet high quality and durability standards and warrants to the original retail consumer/purchaser of our products that each product be free from defects in materials and workmanship as follow: **ONE YEAR LIMITED WARRANTY ON ALL PRODUCTS UNLESS SPECIFIED OTHERWISE.** This Warranty does not apply to defects due directly or indirectly to misuse, abuse, negligence or accidents, normal wear-and tear, repair or alterations outside our facilities, or to a lack of maintenance.

We shall in no event be liable for death, injuries to persons or property or for incidental, contingent, special, or consequential damages arising from the use of our products.

To take advantage of this warranty, the product or part must be returned to us for examination, postage prepaid. Proof of purchase date and an explanation of the complaint must accompany the merchandise. If our inspection discloses a defect, we will either repair or replace the product, or refund the purchase price if we cannot readily and quickly provide a repair or replacement, if you are willing to accept a refund. We will return repaired product or replacement at our expense, but if it is determined there is no defect, or that the defect resulted from causes not within the scope of Herman's warranty, then the user must bear the cost of storing and returning the product.

The manufacturers reserve the right to change specifications at any time as they continually strive to achieve better quality equipment.

Copyright. The copyright of this instruction book is the property of us and may not be reproduced or copied without prior consent of us.



WARNING!

Read and understand the entire instruction manual before attempting set-up or operation of this machine!

1. **This machine is designed and intended for use by properly trained and experienced personnel only.** If you are not familiar with the proper safe use of lathes, do not use this machine until proper training and knowledge has been obtained.
2. **Keep guards in place.** Safety guards must be kept in place and in working order.
3. **Remove adjusting keys and wrenches.** Before turning on machine, check to see that any adjusting wrenches are removed from the tool.
4. **Reduce the risk of unintentional starting.** Make sure switch is in the OFF position before plugging in the tool.
5. **Do not force tool.** Always use a tool at the rate for which it was designed.
6. **Use the right tool.** Do not force a tool or attachment to do a job for which it was not designed.
7. **Maintain tools with care.** Keep tools sharp and clean for best and safest performance. Follow instructions for lubrication and changing accessories.
8. **Always disconnect the machine from the power source before adjusting or servicing.**
9. **Check for damaged parts.** Check for alignment of moving parts, breakage of parts, mounting, and any other condition that may affect the tools operation. A guard or any part that is damaged should be repaired or replaced.
10. **Turn power off. Never leave a machine unattended.** Do not leave a machine until it comes to a complete stop.
11. **Keep work area clean,** Cluttered areas and bench invite accidents.
12. **Do not use in a dangerous environment.** Do not use power tools in damp or wet locations, or expose them to rain. Keep work area well lighted.
13. **Keep children and visitors away.** All visitors should be kept a safe distance from the work area.
14. **Make the workshop child proof.** Use padlocks, master switches, and remove starter keys.
15. **Wear proper apparel.** Loose clothing, gloves, neckties, rings, bracelets, or other jewelry may get caught in moving parts. Non-slip footwear is recommended. Wear protective hair covering to contain long hair. Do not wear any type of glove.
16. **Always use safety glasses.** Every day glasses only have impact resistant lenses; they are not safety glasses.
17. **Do not overreach.** Keep proper footing and balance at all times.
18. **Don not put hands near the cutter while the machine is operating.**
19. **Do not perform any set-up work while machine is operating.**
20. **Read and understand all warnings posted on the machine.**
21. **This manual is intended to familiarize you with the technical aspects of this lathe.** It is not, nor was it intended to be a training manual.
22. **Failure to comply with all of these warnings may result in serious injury.**
23. **Some dust created** by power sanding, sawing, grinding, drilling and other construction activities contains chemicals known to cause cancer, birth defects or other reproductive harm. Some examples of these chemicals are lead from lead based paint; crystalline silica from bricks and cement and other masonry products.
24. **Your risk from those exposures** varies, depending on how often you do this type of work. To reduce your exposure to these chemicals: work in a well ventilated area, and work with approved safety equipment, such as those dust masks that are specifically designed to filter our microscopic particles.

SPECIFICATIONS:

	WM180V
Capacities:	
Swing Over Bed	180mm
Swing Over Cross Slide	110mm
Distance Between Centers	300mm
Width of Bed	100mm
Headstock:	
Hole Through Spindle	21mm
Taper in Spindle Nose	MT3
Number of Spindle Speeds	Variable
Range of Spindle Speeds	0-2500RPM
Feeding and Threading:	
Number of Metric Threads	10
Range of Metric Threads	0.5~3mm
Number of Imperial Threads	8
Range of Imperial Threads	8~44 T.P.I.
Range of Longitudinal Feed	0.1~0.20mm
Compound and Carriage:	
Tool Post Type	4-Way
Maximum Compound Slide Travel	55mm
Maximum Cross Slide Travel	75mm
Maximum Carriage Travel	276mm
Tailstock:	
Tailstock Spindle Travel	60mm
Taper in Tailstock Spindle	MT2
Miscellaneous:	
Main Motor	450W, 230V/ 1Ph/50Hz
Dimension:	
Length:	740mm
Width:	390mm
Height:	370mm
Weight:	60KGS

The specifications in this manual are given as general information and are not binding. We reserves the right to effect, at any time and without prior notice, changes or alterations to parts, fitting and accessory equipment deemed necessary for any reason whatsoever.

TABLE OF CONTENTS

LIMITED WARRANTY.....	1
SAFETY WARNINGS	2
SPECIFICATIONS	3
TABLE OF CONTENTS	4
CONTENTS OF SHIPPING CONTAINER	5
UNCRATING AND CLEAN-UP	6
FOUNDATION DRAWING	6
GENERAL DESCRIPTION.....	7
CONTROLS.....	8
OPERATION	10
LATHE ACCESSORIES.....	15
ADJUSTMENT.	17
LUBRICATION	18
ELECTRICAL CONNECTION	19
MAINTENANCE	20
TRUBLE SOLUTION	21
EC DECLARATION OF CONFORMITY	22

⚠ WARNING!

**Read and understand the entire contents of this Manual before attempting set-up or operation!
Failure to comply may cause serious injury!**

CONTENTS OF SHIPPING CONTAINER

- 1 WM180V Lathe
- 1 Φ 100mm Three Jaw Chuck
- 1 Φ 100mm Four Jaw Chuck (with backplate)
- 1 Steady Rest
- 1 Follow Rest
- 1 Face Plate
- 1 Operator's Manual
- 1 Test Flow Chart
- 1 Toolbox

TOOLBOX CONTENTS (Fig. 1)

- 1 V-belt Gates-5M-365
- 1 Dead Center MT3
- 1 Dead Center MT2
- 3 External Jaw
- 1 Oil Gun
- 1 Cross Screwdriver
- 1 Flat Screwdriver
- 1 Key for 3-Jaw Chuck
- 1 Key for 4-Jaw Chuck
- 5 Hex Socket Wrench 3,4,5,6,8mm
- 3 Double End Head Wrench 8-10mm, 10-12mm, 17-19mm
- 9 Change Gears 25T,30T,33T,35T,40T,45T,50T,52T,66T

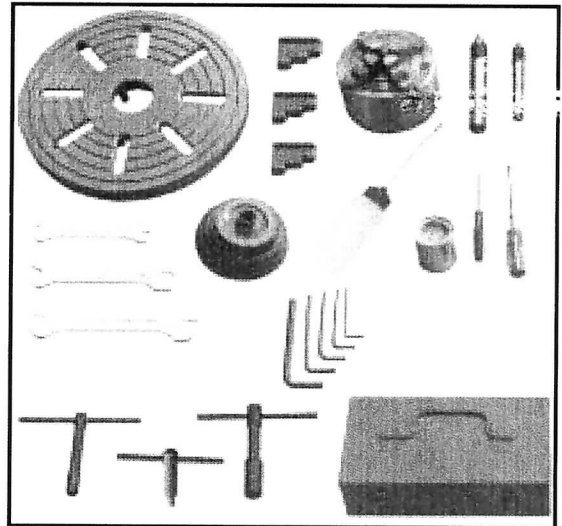


Fig. 1

UNCRATING AND CLEAN-UP

1. Finish removing the wooden crate from around the lathe
2. Check all the accessories of the machine tool according to the packing list.
3. Unbolt the lathe from the shipping crate bottom.
4. Choose a location for the lathe that is dry, has good lighting and has enough room to be able to service the lathe on all four sides.
5. With adequate lifting equipment, slowly raise the lathe off the shipping crate bottom. **Do not lift by spindle.** Make sure lathe is balanced before moving to sturdy bench or stand.
6. To avoid twisting the bed, the lathe's location must be absolutely flat and level. Bolt the lathe to the stand (if used). If using a bench, through bolt for best performance.
7. Clean all rust protected surfaces using a mild commercial solvent, kerosene or diesel fuel. Do not use paint thinner, gasoline or lacquer thinner. These will damage painted surfaces. Cover all cleaned surfaces with a light film of 20W machine oil.
8. Remove the end gear cover. Clean all components of the end gear assembly and coat all gears with heavy, non-slinging grease.

FOUNDATION DRAWING

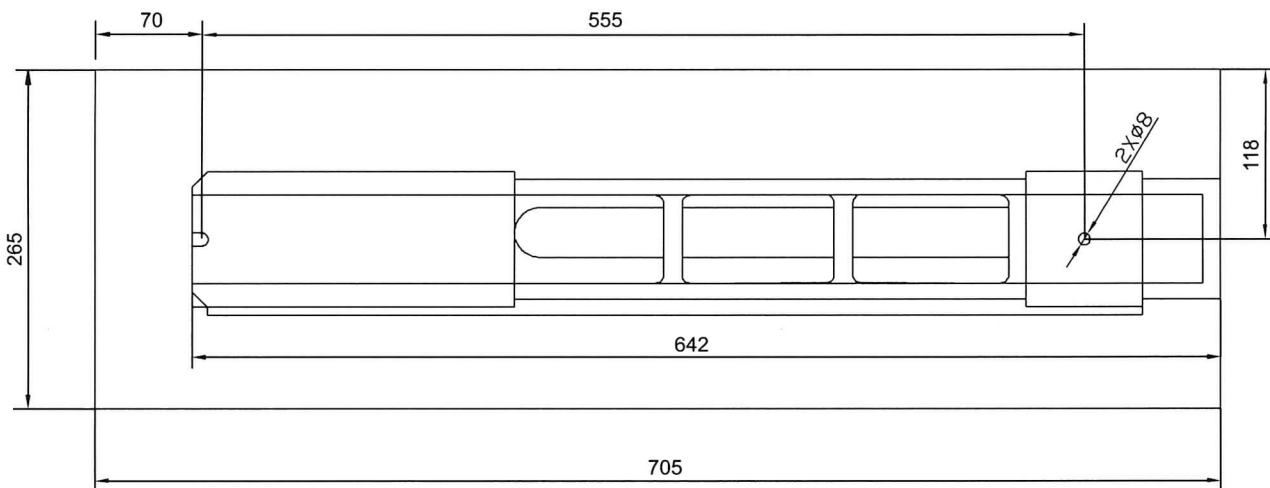


Fig. 2

GENERAL DESCRIPTION

Lathe Bed (Fig. 3)

The lathe bed is made of high-grade iron. By combining high cheeks with strong cross ribs, a bed of low vibration and rigidity is produced. It integrates the headstock and drive unit, for attaching the carriage and leadscrew. The two precision-ground V – sideways, re-enforced by heat hardening and grinding, are the accurate guide for the carriage and tailstock. The main motor is mounted to the rear of the left side of the bed.

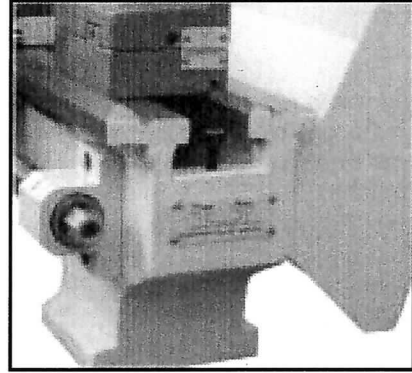


Fig. 3

Headstock (Fig. 4)

The headstock is cast from high grade, low vibration cast iron. It is bolted to the bed with four screws. The headstock houses the main spindle with two precision taper roller bearings and the drive unit.

The main spindle transmits the torque during the turning process. It also holds the workpieces and clamping devices. (e.g. 3-jaw chuck).



Fig. 4

Carriage (Fig. 5)

The carriage is made from high quality cast iron. The slide parts are smoothly ground. They fit the V on the bed without play. The lower sliding parts can be easily and simply adjusted. The cross slide is mounted on the carriage and moves on a dove tailed slide. Play in the cross slide may be adjusted with the gibs.

Move the cross slide with its conveniently positioned handwheel. There is a graduated collar on the handwheel.

A four way tool post is fitted on the top slide and allows four tools to be clamped. Loosen the center clamp handle to rotate any of the four tools into position.

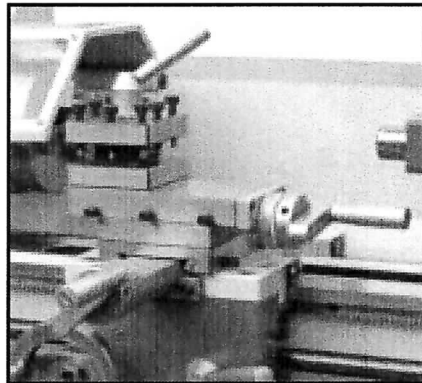


Fig. 5

Apron (Fig. 6)

The apron is mounted on the bed. It houses the half nut with an engaging lever for activating the automatic feed. The half nut gibs can be adjusted from the outside.

A rack, mounted on the bed, and a pinion operated by handwheel on the carriage allow for quick travel of the apron.

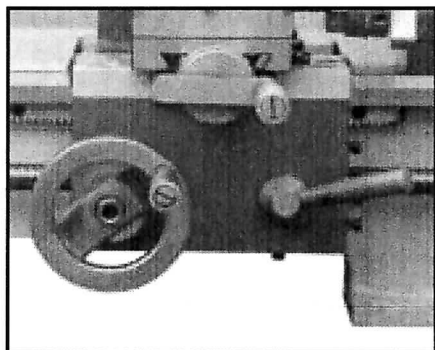


Fig. 6

Leadscrew

The leadscrew (A, Fig.7) is mounted on the front of the machine bed. It is connected to the gear box at the left for automatic feed and is supported by bearing on both ends. The hex nut (B, Fig.7) on the right end is designed to take up play on the leadscrew.

Tailstock (Fig. 8)

The tailstock slides on a V way and can be clamped at any location. The tailstock has a heavy-duty spindle with a Morse taper No. 2 socket and a graduated scale. The spindle can be clamped at any location with a clamping lever. The spindle is moved with a handwheel at the end of the tailstock.

NOTE:

Fit the securing screw (C, Fig. 8) at the end of the lathe in order to prevent the tailstock from falling off the lathe bed.

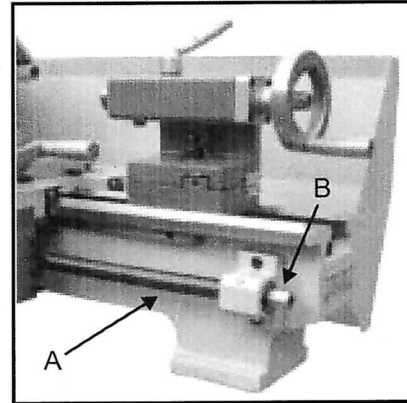


Fig. 7

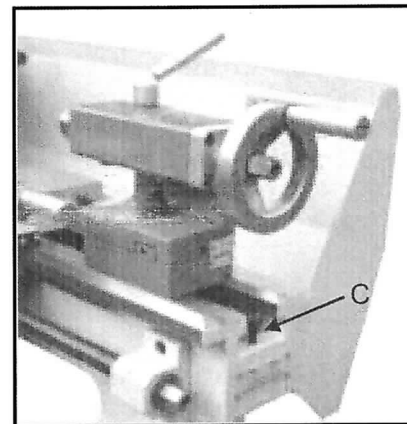


Fig. 8

CONTROLS

1. Emergency Button ON/OFF Switch (D, Fig. 9)

The machine is switched on and off with ON/OFF button. Depress to stop all machine functions. To restart, lift the cover and press ON button.

2. Change-over Switch (E, Fig. 9)

After the machine is switched on, turn the switch to "F" position for counter-clockwise spindle rotation (forward). Turn the switch to "R" position for clockwise spindle rotation (reverse). "0" position is OFF and the spindle remains idle.

3. Variable Speed Control Switch (F, Fig. 9)

Turn the switch clockwise to increase the spindle speed. Turn the switch counter-clockwise to decrease the spindle speed. The possible speed range is dependent from the position of the drive belt.

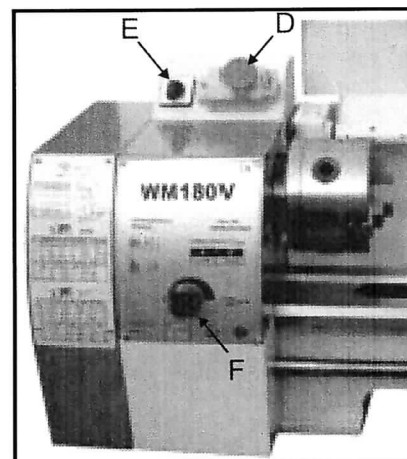


Fig. 9

4. Carriage Lock

Turn hex socket cap screw (A, Fig.10) clockwise and tighten to lock. Turn counter-clockwise and loosen to unlock.

Caution: carriage lock screw must be unlocked before engaging automatic feeds or damage to lathe may occur.

5. Longitudinal Traverse Handwheel (B, Fig. 11)

Rotate hand wheel clockwise to move the apron assembly toward the tailstock (right). Rotate the hand wheel counter-clockwise to move the apron assembly toward the headstock (left).

6. Cross Traverse Lever (C, Fig. 11)

Clockwise rotation moves the cross slide toward the rear of the machine.

7. Half Nut Engage Lever (D, Fig. 11)

Move the lever down to engage. Move the lever up to disengage.

8. Compound Rest Traverse Lever (E, Fig. 11)

Rotate clockwise or counter-clockwise to move or position.

9. Tool Post Clamping Lever (F, Fig. 11)

Rotate counter-clockwise to loosen and clockwise to tighten. Rotate the tool post when the lever is unlocked.

10. Tailstock Clamping Screw (G, Fig. 12)

Turn hex nut clockwise to lock and counter-clockwise to unlock.

11. Tailstock Quill Clamping Lever (H, Fig. 12)

Rotate the lever clockwise to lock the spindle and counter-clockwise to unlock.

12. Tailstock Quill Traverse Handwheel (I, Fig. 12)

Rotate clockwise to advance the quill. Rotate counter-clockwise to retract the quill

13. Tailstock Off-set Adjustment (J, Fig. 12)

Three sets screws located on the tailstock base are used to off-set the tailstock for cutting tapers. Loosen lock screw on tailstock end. Loosen one side set screw while tightening the other until the amount of off-set is indicated on scale. Tighten lock screw.

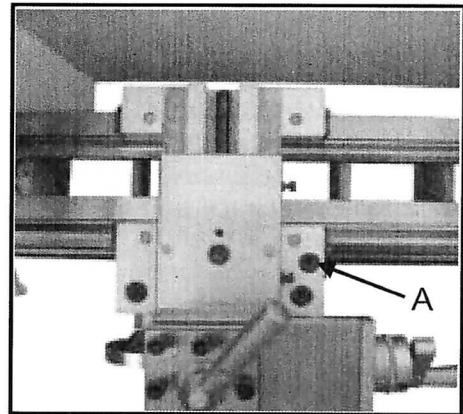


Fig. 10

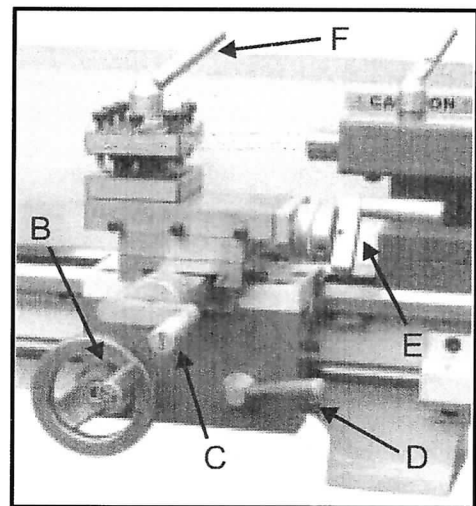


Fig. 11

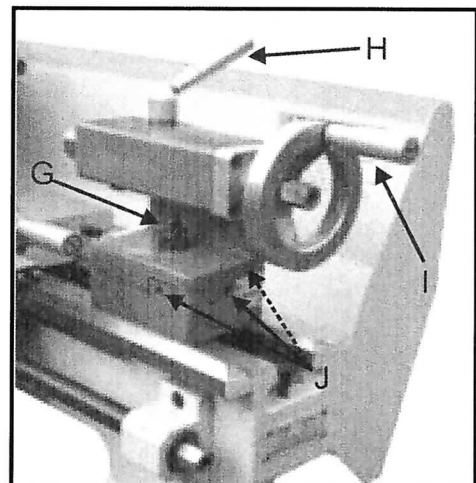


Fig. 12

OPERATION

Replacement of Chuck

The head spindle holding fixture is cylindrical. Loose three set screws and nuts (A, Fig.13 only two are shown) on the lathe chuck flange to remove the chuck. Position the new chuck and fix it using the same set screws and nuts.

Tool Set-Up

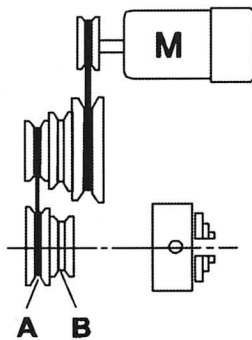
Clamp the turning tool into the toolholder.

The tool must be clamped firmly. When turning, the tool has a tendency to bend under the cutting force generated during the chip formation. For best results, tool overhang should be kept to a minimum of 3/8" or less.

The cutting angle is correct when the cutting edge is in line with the center axis of the work piece. The correct height of the tool can be achieved by comparing the tool point with the point of the center mounted in the tailstock. If necessary, use steel spacer shims under the tool to get the required height. (Fig. 14

Change Speed

1. Unscrew the two fastening screws (B, Fig.15 and remove the protective cover.
2. Adjust the V-belt (C, Fig.16) corresponding position.
3. Tighten the tension pulley and fasten the nut again.



SPINDLE SPEED \curvearrowright /min

A	B
50-1250	100-2500

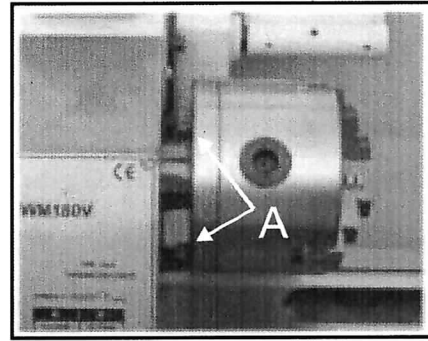


Fig. 13

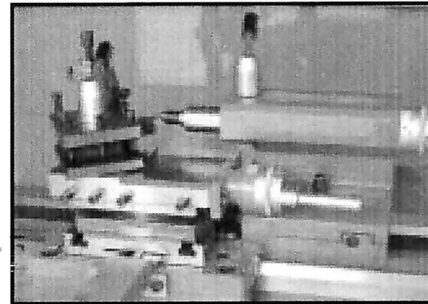


Fig. 14

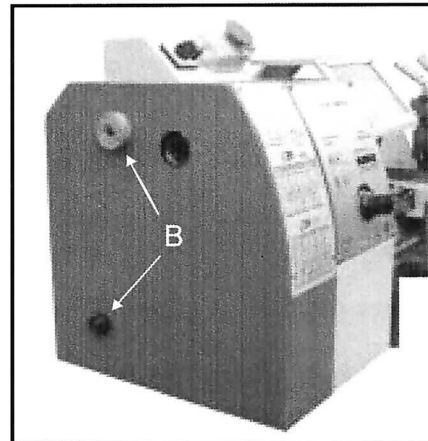


Fig. 15

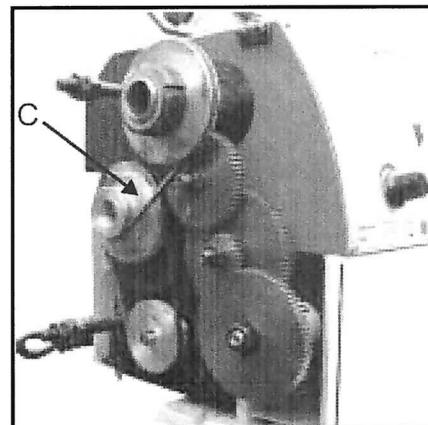


Fig. 16

Manual Turning

Apron travel, cross travel, and top slide handwheel can be operated for longitudinal or cross feeding. (Fig.17)

Longitudinal Turning with Auto-Feed

Use the table (A, Fig.18) on the lathe for selecting the feed speed or the thread pitch. Adjust the change gear if the required feed or thread pitch cannot be obtained with the installed gear set.

Change Gears Replacement

1. Disconnect the machine from the power source.
2. Unscrew the two fastening screws and remove the protective cover.
3. Loosen the locking screw (B, Fig.19) on the quadrant.
4. Swing the quadrant (C, Fig.19) to the right.
5. Unscrew the nut (D, Fig.29) from the leadscrew or the nuts (E, Fig.19) from the quadrant bolts in order to remove the change gears from the front.
6. Install the gear couples according to the thread and feed table (Fig.20) and screw the gearwheels onto the quadrant again.
7. Swing the quadrant to the left until the gearwheels have engaged again.
8. Readjust gear backlash by inserting a normal sheet of paper as an adjusting or distance aid between the gearwheels.
9. Immobilize the quadrant with the locking screw.
10. Install the protective cover of the headstock and reconnect the machine to the power supply.

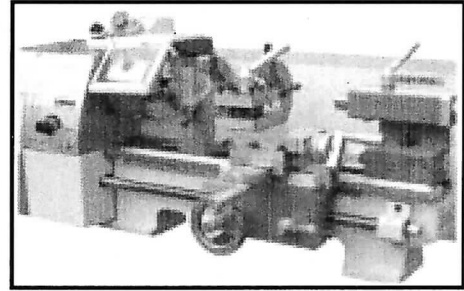


Fig. 17

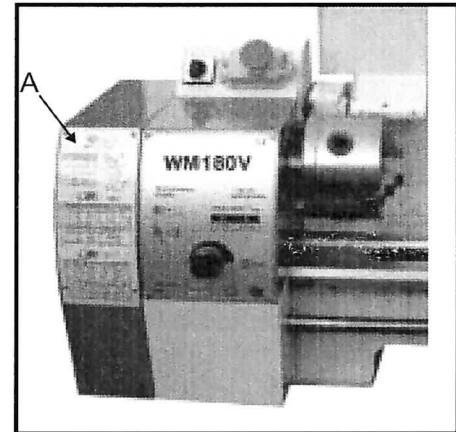


Fig. 18

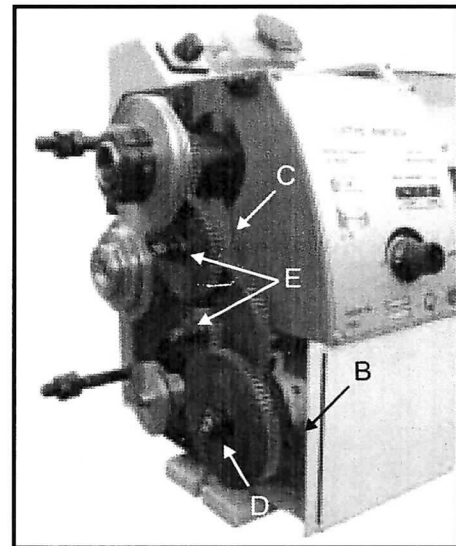


Fig. 19

THREADING AND FEEDING TABLE

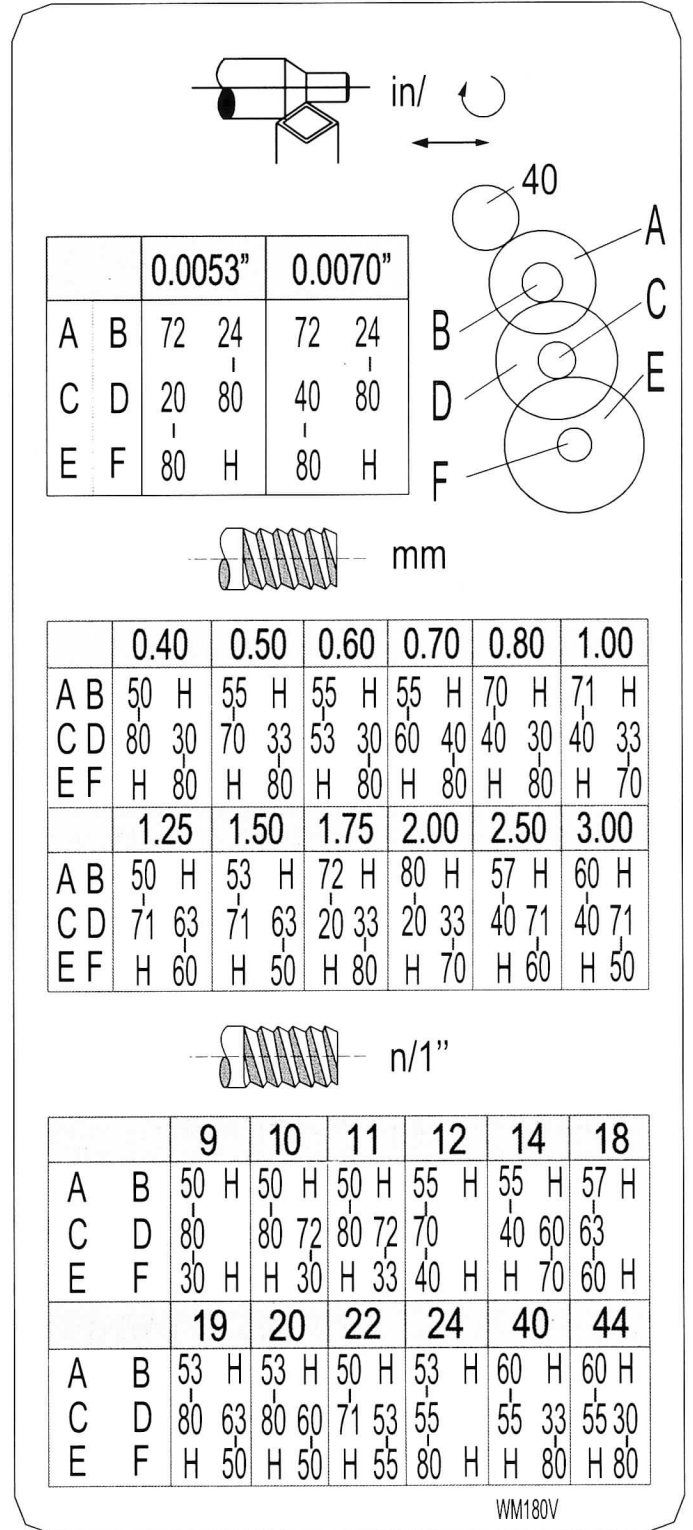
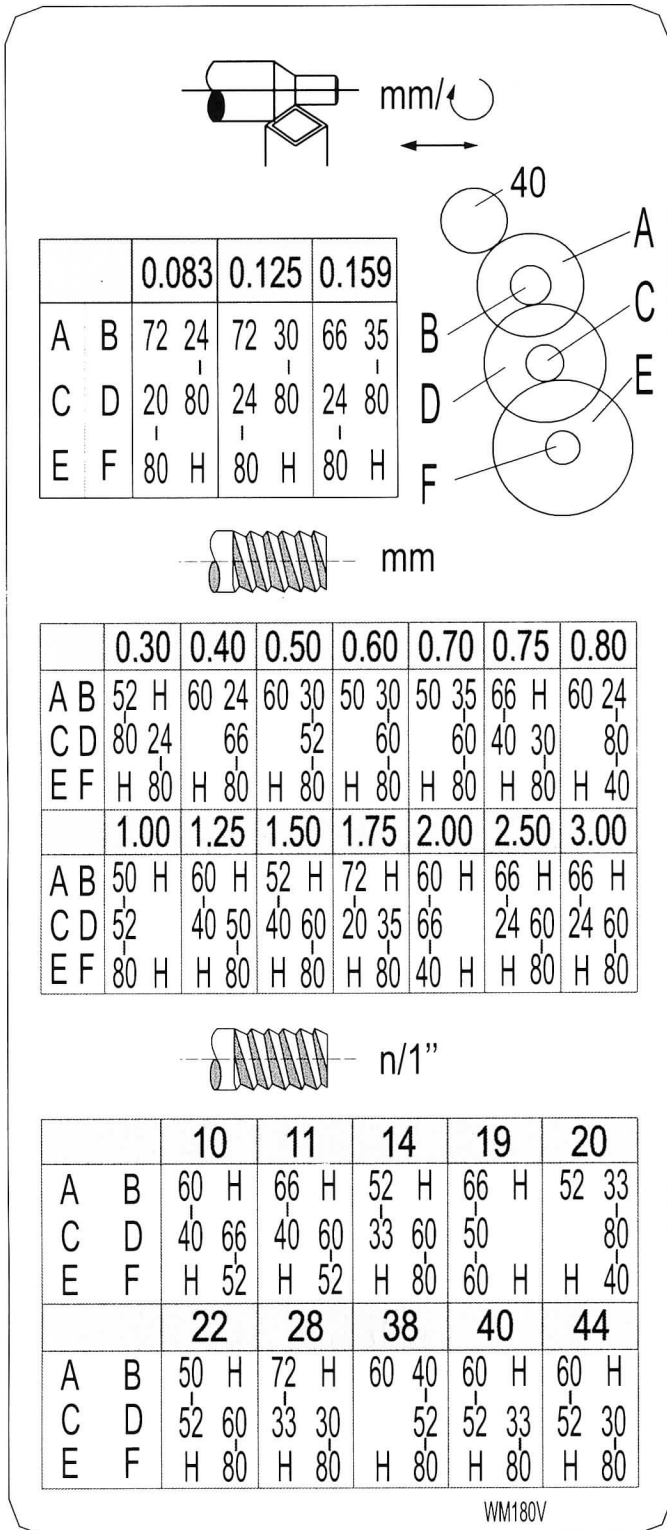


Fig. 20

Straight Turning (Fig. 21)

In the straight turning operation, the tool feeds parallel to the axis of rotation of the workpiece. The feed can be either manual by turning the handwheel on the lathe saddle or the top slide, or by activating the automatic feed. The crossfeed for the depth of cut is achieved using the cross slide.

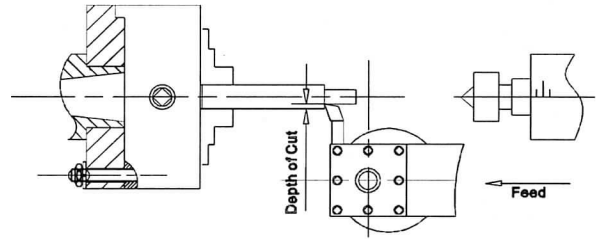


Fig. 21

Facing and Recesses (Fig. 22)

In the facing operation, the tool feeds perpendicular to the axis of rotation of the workpiece. The feed is made manually with the cross slide handwheel. The crossfeed for cut depth is made with the top slide or lathe saddle.

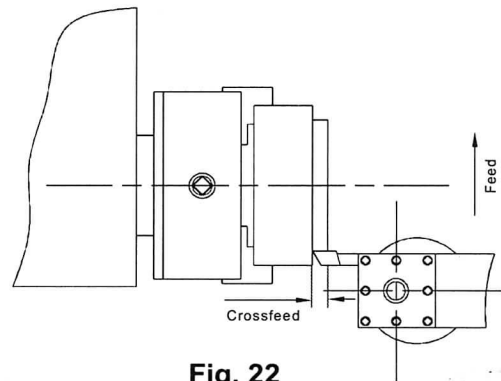
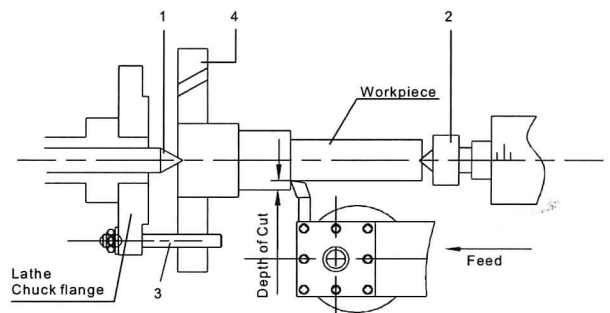


Fig. 22

Turning Between Centers (Fig. 23)

For turning between centers, it is necessary to remove the chuck from the spindle. Fit the M.T.3 center into the spindle nose and the M.T. 2 center into the tailstock. Mount the workpiece fitted with the driver dog between the centers. The driver is driven by a catch or face plate.

Note: Always use a small amount of grease on the tailstock center to prevent center tip from overheating.



- 1.Fixed Centre 60°
- 2.Living Centre 60°
- 3.Dog Drive Pin
- 4.Dog Plate

Fig. 23

Taper Turning Using Tailstock Off-Set

Work to a side angle of 5 can be turned by off-setting the tailstock. The angle depends on the length of the workpiece.

To off-set the tailstock, loosen locking screw (A, Fig.24) Unscrew the set screw (B, Fig.24) on right end of the tailstock. Loosen the front adjusting screw(C, Fig.24) and take up the same amount by tightening the rear adjusting screw (D, Fig.24) until the desired taper has been reached. The desired cross-adjustment can be read off the scale. (E, Fig.24). First retighten the set screw (B, Fig.24) and then the two (front and rear) adjusting screw to lock the tailstock in position. Retighten the locking screw (A, Fig.24) of the tailstock. The workpiece must be held between to centers and driven by a face plate and driver dog.

After taper turning, the tailstock should be returned to its original position according to the zero position on the scale of tailstock. (E, Fig.24)

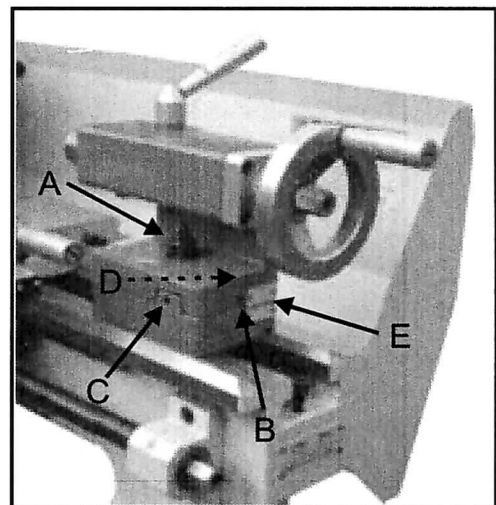


Fig. 24

Thread Cutting

Set the machine up to the desired thread pitch (according to the threading chart, Fig.20). Start the machine and engage the half nut. When the tool reaches the part, it will cut the initial threading pass. When the tool reaches the end of the cut, stop the machine by turning the motor off and at the same time back the tool out of the part so that it clears the thread. Do not disengage the half nut lever. Reverse the motor direction to allow the cutting tool to traverse back to the starting point. Repeat these steps until you have obtained the desired results.

NOTES

Example: Male Thread

- The workpiece diameter must have been turned to the diameter of the desired thread.
- The workpiece requires a chamfer at the beginning of the thread and an undercut at the thread runout.
- The speed must be as low as possible.
- The change gears must have been installed according to the required pitch.
- The thread cutting tool must be exactly the same shape as the thread, must be absolutely rectangular and clamped so that it coincides exactly with the turning center.
- The thread is produced in various cutting steps so that the cutting tool has to be turned out of the thread completely (with the cross slide) at the end of each cutting step.
- The tool is withdrawn with the leadscrew nut engaged by inverting the change-over switch.
- Stop the machine and feed the thread cutting tool in low cut depths using the cross slide.
- Before each passage, place the top slide approximately 0.2 to 0.3mm to the left and right alternately in order to cut the thread free. This way, the thread cutting tool cuts only on one thread flank with each passage. Keep cutting the thread free until you have almost reached the full depth of thread.

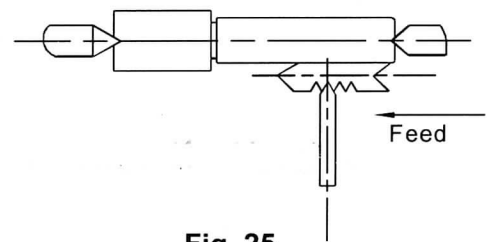


Fig. 25

Lathe Accessories

Three Jaw Universal Lathe Chuck

Using this universal chuck, round, triangular, square, hexagonal octagonal, and twelve-cornered stock may be clamped. (Fig.26)

Note: new lathes have very tight fitting jaws. This is necessary to ensure accurate clamping and long service life. With repeated opening and closing, the jaw adjust automatically and their operation becomes progressively smoother.

Note:

For the original 3-jaw chuck that mounted on the lathe, the factory has mounted the chuck in the best way to guarantee the holding accuracy with two "0" mark (A, Fig.26) showed on the chuck and chuck flange.

There are two types of jaws: Internal and external jaws. Please note that the number of jaws fit with the number inside the chuck's groove. Do not mix them together. When you are going to mount them, please mount them in ascending order 1-2-3, when you are going to take them out, be sure to take them out in descending order 3-2-1, one by one. After you finished this procedure, rotate the jaws to the smallest diameter and check that the three jaws are well fitted.

Four Jaw Independent Lathe Chuck

This special chuck has four independently adjustable chuck jaws. These permit the holding of asymmetrical pieces and enable the accurate set-up of cylindrical pieces. (Fig.27)

Drill Chuck (Optional)

Use the drill chuck to hold centering drills and twist drills in the tailstock. (B, Fig.28)

Morse Taper Arbor (Optional)

An arbor is necessary for mounting the drill chuck in the tailstock. It has a No. 2 Morse taper. (C, Fig.28)

Live Center (Optional)

The live center is mounted in ball bearings. Its use is highly recommended for turning at speeds in excess of 600 RPM. (Fig.29)

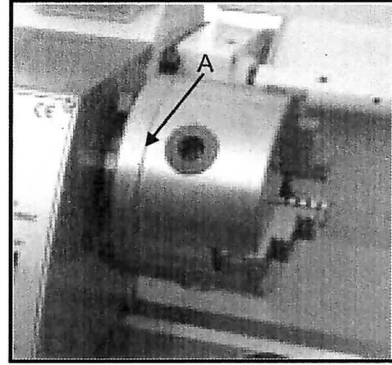


Fig. 26

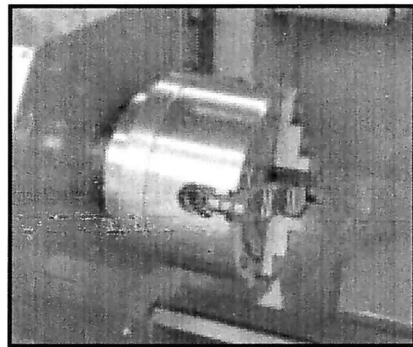


Fig. 27

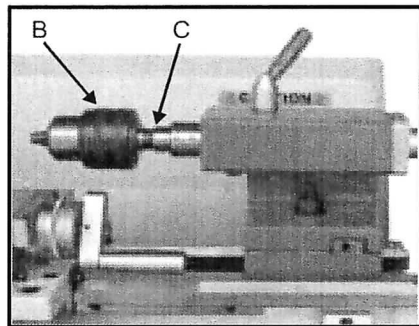


Fig. 28

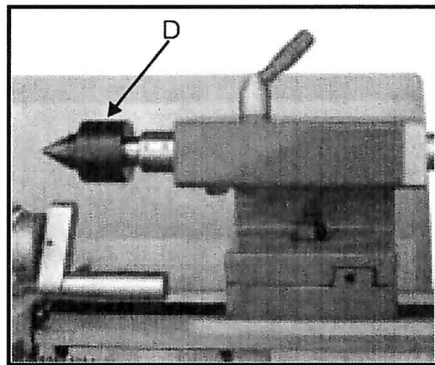


Fig. 29

Steady Rest

The steady rest serves as a support for shafts on the free tailstock end. For many operations the tailstock can not be used as it obstructs the turning tool or drilling tool, and therefore, must be removed from the machine. The steady rest, which function as an end support, ensures chatter-free operation. The steady rest is mounted on the bedways and is secured from below with a locking plate. The sliding fingers require continuous lubrication at the contact points to prevent premature wear. (Fig.30)

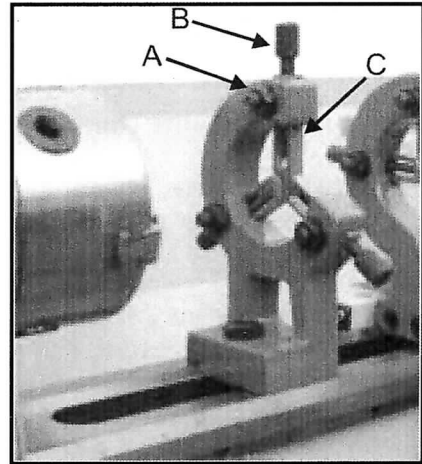


Fig. 30

Setting the Steady Rest

1. Loosen three hex nuts. (A, Fig.31)
2. Loosen knurled screw (B, Fig.36) and open the sliding fingers. (C, Fig.31) until the steady rest can be moved with its finger around the workpiece. Secure the steady rest in position.
3. Tighten knurled screws so that fingers are snug but not tight against the workpiece. Tighten three nuts (A, Fig.31). Lubricate the sliding points with machine oil.
4. When, after prolonged operation, the jaw show wear, the tips of the fingers may be filed or remilled.

Follow Rest

The follow rest is mounted on the saddle and follow the movement of the turning tool. Only two sliding fingers are required. The place of the third finger is taken by the turning tool. The follow rest is used for turning operations on long, slender workpieces. It prevents flexing of the workpiece under pressure from the turning tool. (Fig.31)

Set the fingers snug to the workpiece but not overly tight. Lubricate the fingers during operation to prevent premature wear.

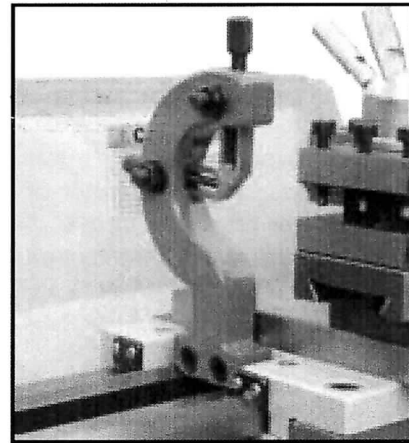


Fig. 31

ADJUSTMENT

After a period time, wear in some of the moving components may need to be adjust

Main Spindle Bearings

The main spindle bearings are adjusted at the factory. If end play becomes evident after considerable use, the bearings may be adjusted.

Fasten the slotted nut (A, Fig.32) on the back of the spindle, loosen the outer slotted nut (B, Fig.32). Adjust the slotted nut (A, Fig.32) until all end play is taken up. The spindle should still revolve freely. Fasten the slotted nut (A, Fig.32) again and tighten the outer slotted nut (B, Fig.32).

Caution: excessive tightening or preloading will damage the bearings.

Adjustment of Cross Slide

The cross slide is fitted with a gib strip(C, Fig.33) and can be adjusted with screws (D, Fig.33) fitted with lock nuts. (E, Fig.33) Loosen the lock nuts and tighten the set screws until slide moves freely without play. Tighten lock nuts to retain adjustment.

Adjustment of Top Slide

The top slide is fitted with a gib strip(F, Fig.34) and can be adjusted with screws (G, Fig. 34) fitted with lock nuts. (H, Fig. 34) Loosen the lock nuts and tighten the set screws until slide moves freely without play. Tighten lock nuts to retain adjustment.

Adjustment of Half Nut Guide

The half nuts engagement can be adjusted with screws (I, Fig.35) fitted with lock nuts (J, Fig.35). Loosen the nuts on the right side of the apron and adjust the control screws until both half nuts move freely without play. Tighten the nut.

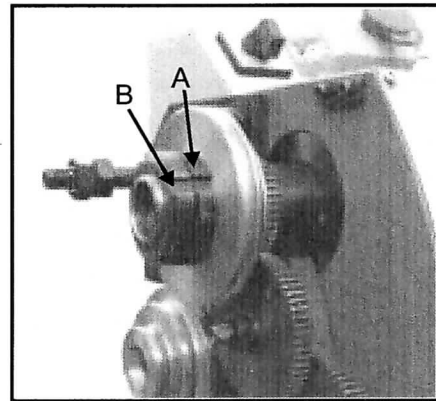


Fig. 32

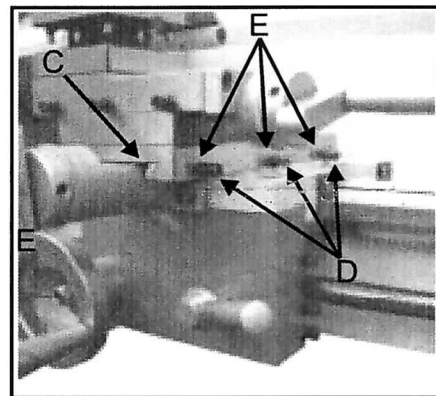


Fig. 33

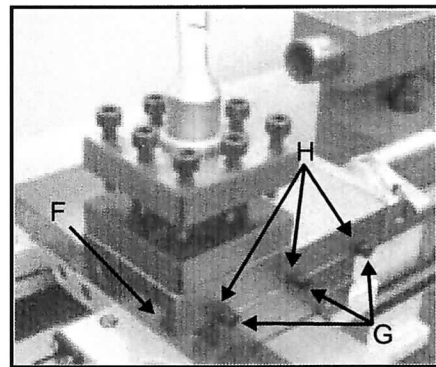


Fig. 34

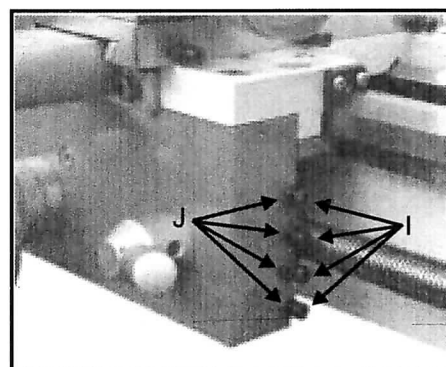


Fig. 35

LUBRICATION

CAUTION

**Lathe must be serviced at all lubrication points and all reservoirs filled to operating level before the lathe is placed into service!
Failure to comply may cause serious damage!**

NOTES:

Lubricate all slideways lightly before every use. Lubricate the change gears and the leadscrew slightly with a lithium-based grease.

1. Carriage

Lubricate Four oil ports (A, Fig. 36) with 20W machine oil once daily.

2. Cross Slide

Lubricate two oil ports (B, Fig. 36) with 20W machine oil once daily.

3. Leadscrew

Lubricate the left oil port (C Fig. 37) and right oil port (D, Fig.38) with 20W machine oil once daily.

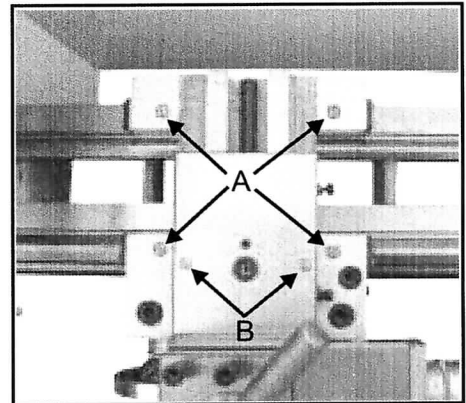


Fig. 36

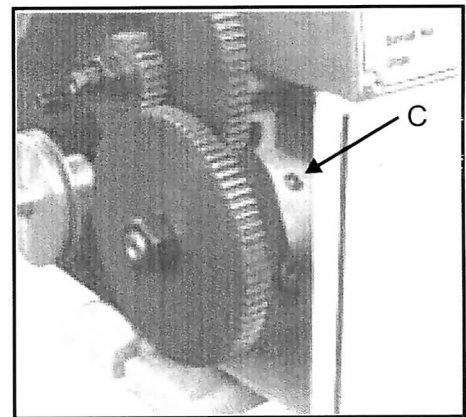


Fig. 37

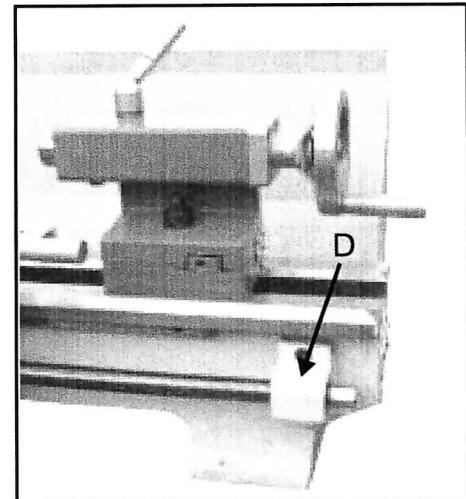


Fig. 38

ELECTRICAL CONNECTIONS



WARNING!

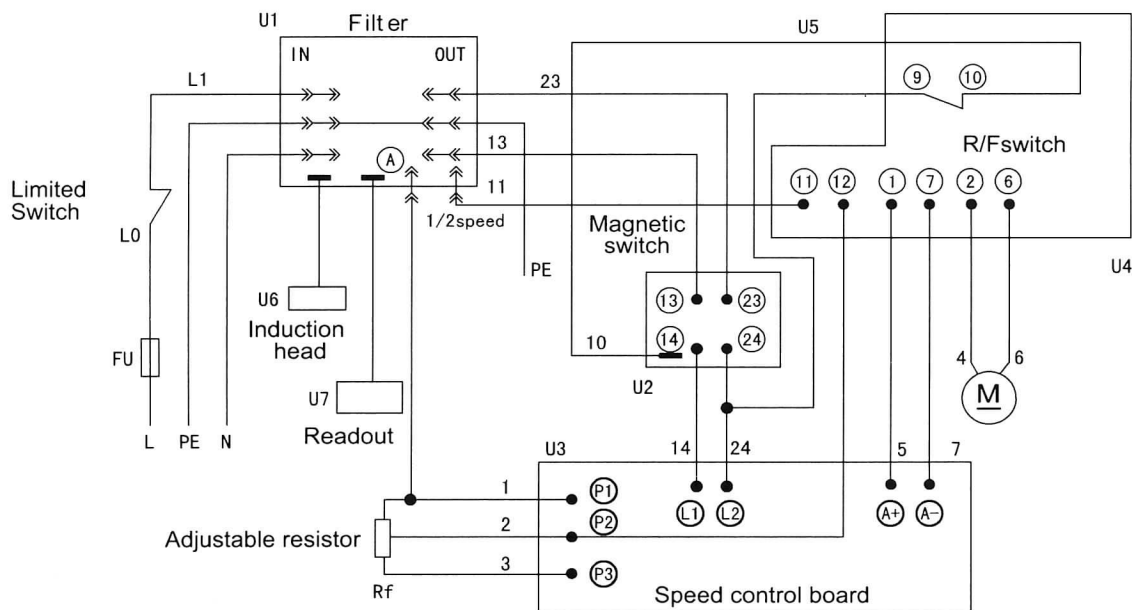
Connection of the lathe and all other electrical work may only be carried out by an authorized electrician!

Failure to comply may cause serious injury and damage to the machinery and property!

The WM180V Lathe is rated at 450W, 1PH, 230V only. Confirm power available at the lathe's location is the same rating as the lathe. Using the wiring diagram (Fig.39) for connecting the lathe to the mains supply.

Make sure the lathe is properly grounded.

The following is wiring diagram of the lathe: (Fig.39)



Fig, 39

MAINTENANCE

Keep the maintenance of the machine tool during the operation to guarantee the accuracy and service life of the machine tool.

1. In order to retain the machine's precision and functionality, it is essential to treat it with care, keep it clean and grease and lubricate it regularly. Only through good care, you can be sure that the working quality of the machine will remain constant.

NOTES:

Disconnect the machine plug from the mains supply whenever you carry out cleaning, maintenance or repair work!

Oil, grease and cleaning agents are pollutants and must not be disposed of through the drains or in normal refuse. Dispose of those agents in accordance with current legal requirements on the environment. Cleaning rags impregnated with oil, grease and cleaning agents are easily inflammable. Collect cleaning rags or cleaning wool in a suitable closed vessel and dispose of them in an environmentally sound way – do not put them with normal refuse!

2. Lubrication all slideways lightly before every use. The change gears and the leadscrew must also be lightly lubricated with lithium base grease.
3. During the operation, the chips which falls onto the sliding surface should be cleaned timely, and the inspection should be often made to prevent chips falling into the position between the machine tool saddle and lathe bed guide way. Asphalt felt should be cleaned at certain time.

NOTES:

Do not remove the chips with your bare hands. There is a risk of cuts due to sharp-edged chips. Never use flammable solvents or cleaning agents or agents that generate noxious fumes! Protect electrical components such as motors, switches, switch boxes, etc., against humidity when cleaning.

4. After the operation every day, eliminate all the chips and clean different part of the machine tool and apply machine tool oil to prevent rusting.
5. In order to maintain the machining accuracy, take care of the center, the surface of the machine tool for the chuck and the guide way and avoid mechanical damage and the wear due to improper guide.
6. If the damage is found, the maintenance should be done immediately.

NOTES:

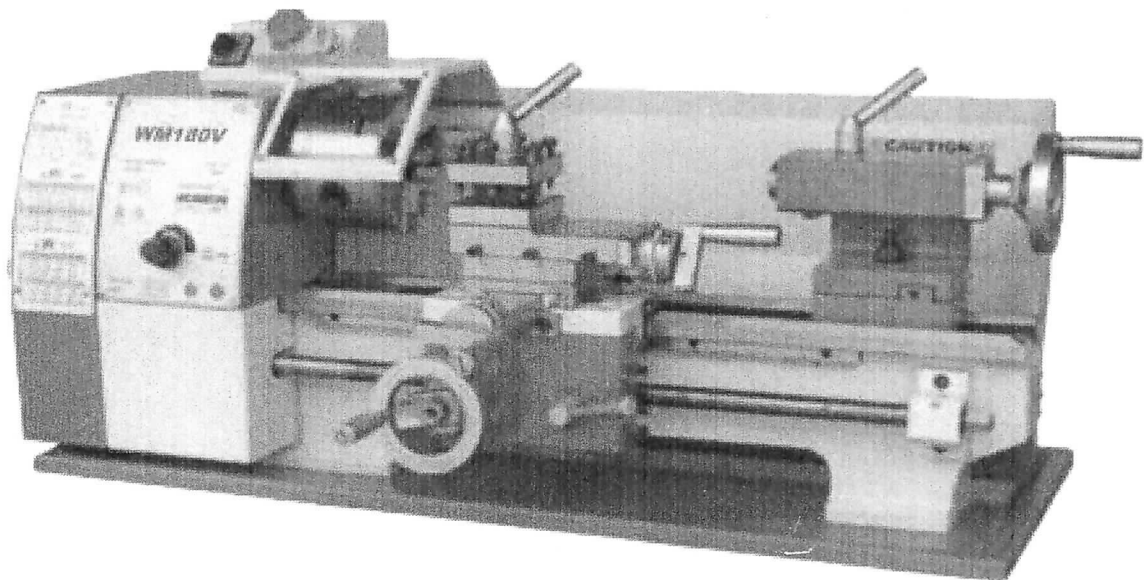
Repair work may only be carried out by qualified personnel with the corresponding mechanical and electrical knowledge.

TROUBLESHOOTING

Problem	Possible Reason	Elimination
Surface of workpiece too rough	Tool blunt Tool springs Feed too high Radius at the tool tip too small	Re-sharpen tool Clamp tool with less overhang Reduce feed Increase radius
Workpiece becomes coned	Centers are not aligned (tailstock has offset) Top slide not aligned well (cutting with the top slide)	Adjust tailstock to the center Align top slide well
Lathe is chattering	Feed too high Slack in main bearing	Reduce feed Adjust the main bearing
Center runs hot	Workpiece has expanded	Loosen tailstock center
Tool has a short edge life	Cutting speed too high Crossfeed too high Insufficient cooling	Reduce cutting speed Lower crossfeed (finishing allowance should not exceed 0.5mm) More coolant
Flank wear too high	Clearance angle too small Tool tip not adjusted to center high	Increase clearance angle Correct height adjustment of the tool
Cutting edge breaks off	Wedge angle too small (heat build-up) Grinding crack due to wrong cooling Excessive slack in the spindle bearing Arrangement (vibrations)	Increase wedge angle Cool uniformly Adjust the slack in the spindle bearing arrangement
Cut thread is wrong	Tool is clamped incorrectly or has been started grinding the wrong way Wrong pitch Wrong diameter	Adjust tool to the center Grind angle correctly Adjust the right pitch Turn the workpiece to the correct diameter
Spindle does not activate	Emergency stop switch activated	Unlock emergency stop switch

WM180V

PARTS LIST FOR



AJ Engros

Sonderbrogade 89 7160 Tørring Denmark

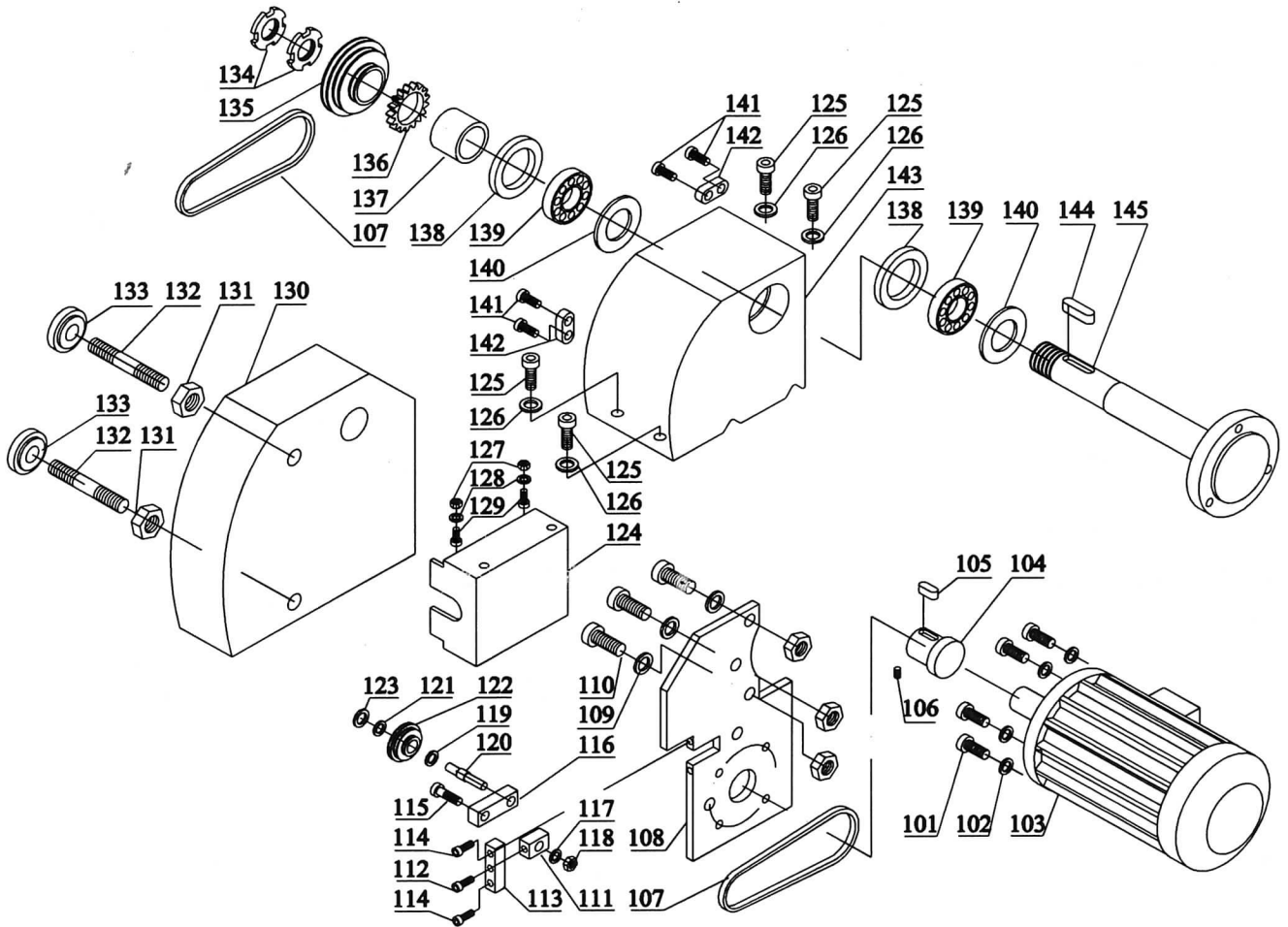
Tlf: 75802276

Fax: 75802356

E-mail aj@engros.dk

Web www.ajengros.dk

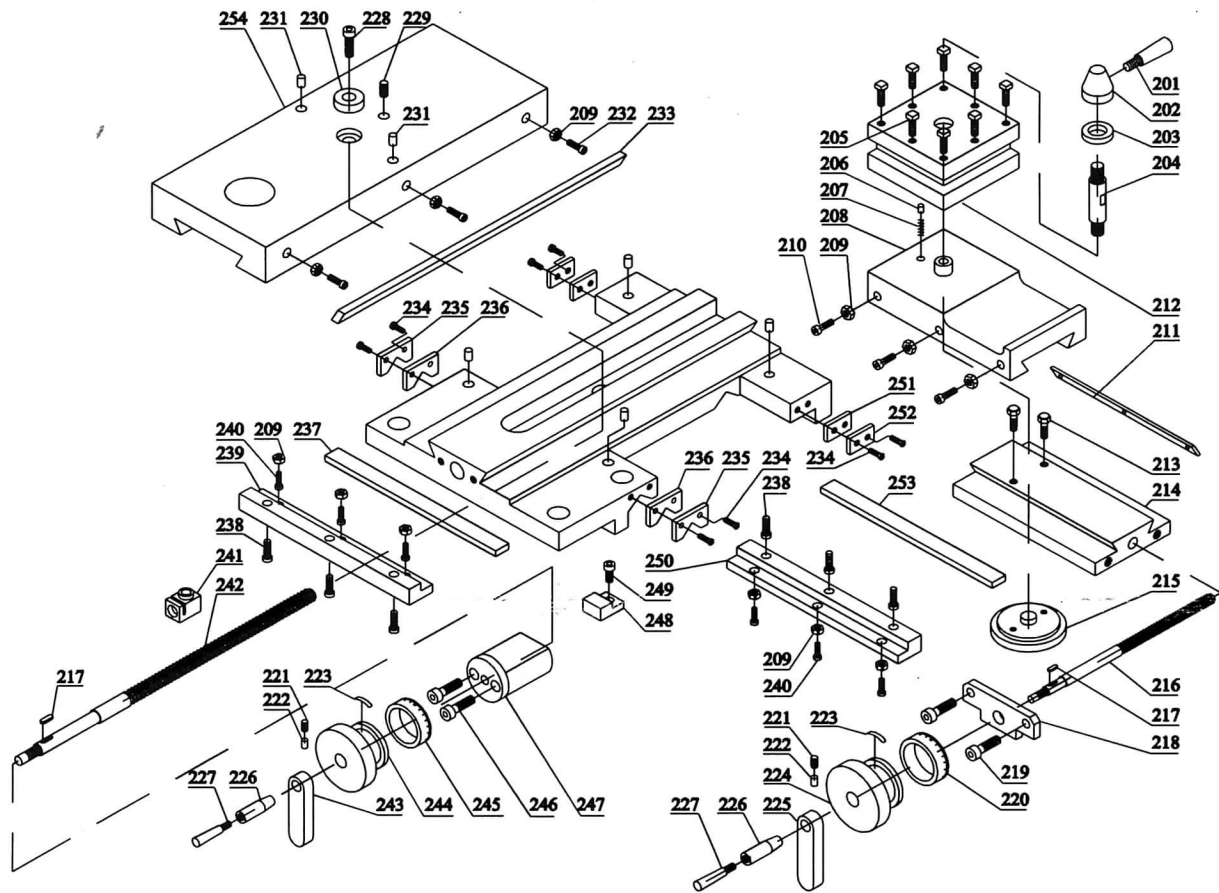
WM180V LATHE - Headstock Assembly



Parts No.	Description	Specification	Qty
101	Screw	M5x25	4
102	Washer		4
103	DC Motor	83ZY005A	1
104	Motor Pulley		1
105	Key	A4x4x20	1
106	Screw	M6x8	1
107	Belt	Gates - 5M -360	2
108	Bracket Plate		1
109	Washer	8	3
110	Screw	M8x20	3
111	Block		1
112	Screw	M6x30	1
113	Block		1
114	Screw	M6x20	1
115	Bolt		1
116	Block		1
117	Washer		1
118	Nut		1
119	Spring Ring	φ 8x0.8	1
120	Bolt		1
121	Bearing		1
122	Pulley		1

Parts No.	Description	Specification	Qty
123	Spring Ring	φ 22x1	1
124	Cover		1
125	Screw	M8x25	4
126	Washer	8	4
127	Nut	M8	2
128	Washer	8	2
129	Screw	M8	2
130	Belt Cover		1
131	Nut	M10	2
132	Bolt	M10x80	2
133	Nut	M10	2
134	Nut	M27x1	2
135	Spindle Pulley		1
136	Gear	40T	1
137	Separator		1
138	Gasket		1
139	Bearing	30206	1
140	Grease Cover		1
141	Screw	M4x10	2
142	Block		1
143	Headstock		1
144	Key	A3X3X15	1
145	Spindle		1

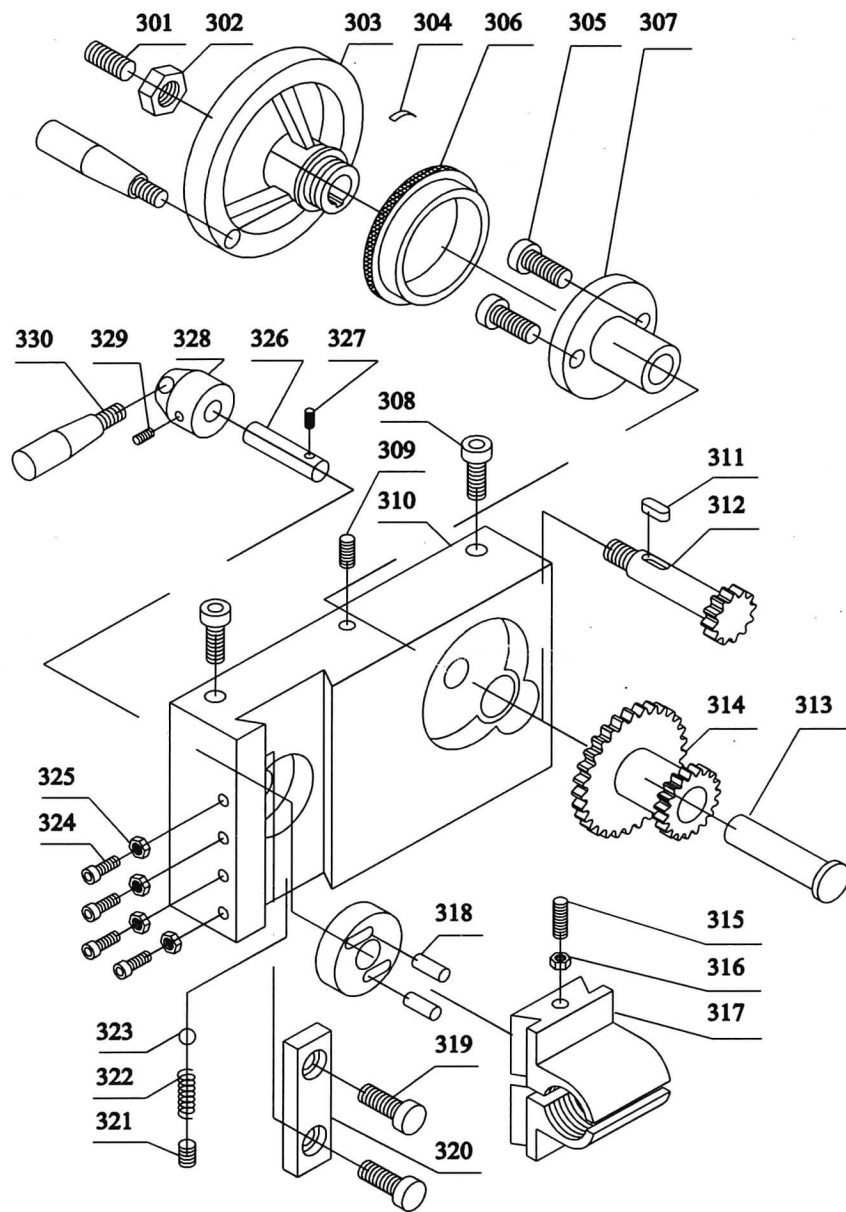
WM180V LATHE - Top Slide, Cross Slide, Carriage Assembly



Parts No.	Description	Specification	Qty
201	Handle		1
202	Handle Base		1
203	Washer		1
204	Bolt		1
205	Screw	M6x25	1
206	Pin		1
207	Spring	5x10x1	1
208	Longitudinal Slide		1
209	Nut	M4	9
210	Screw	M4x14	3
211	Gib		1
212	Top Rest		1
213	Screw	M5x30	1
214	Swivel Base	M6x20	1
215	Micrometer Pan		1
216	Lead Screw		1
217	Key	3x12	1
218	Bracket		1
219	Screw	M5x12	2
220	Collar		1
221	Screw		2
222	Pin		2
223	Spring		2
224	Handwheel		1
225	Handle Block		1
226	Handle Sleeve		2
227	Handle		2

Parts No.	Description	Specification	Qty
228	Screw	M4x8	1
229	Screw	M5x10	1
230	Bush		1
231	Oil Cup	φ 5	2
232	Screw	M4x20	3
233	Gib		1
234	Screw		8
235	Wiper Cover		2
236	Wiper		2
237	Gib		1
238	Screw	M5x10	6
239	Sliding Block		1
240	Screw	M4x10	6
241	Nut		1
242	Lead Screw		1
243	Handle Block		1
244	Handwheel		1
245	Collar		1
246	Screw	M6x50	2
247	Bracket		1
248	Clamping Plate		1
249	Screw		1
250	Sliding Block		1
251	Wiper		2
252	Wiper Cover		2
253	Gib		1
254	Cross Slide		1

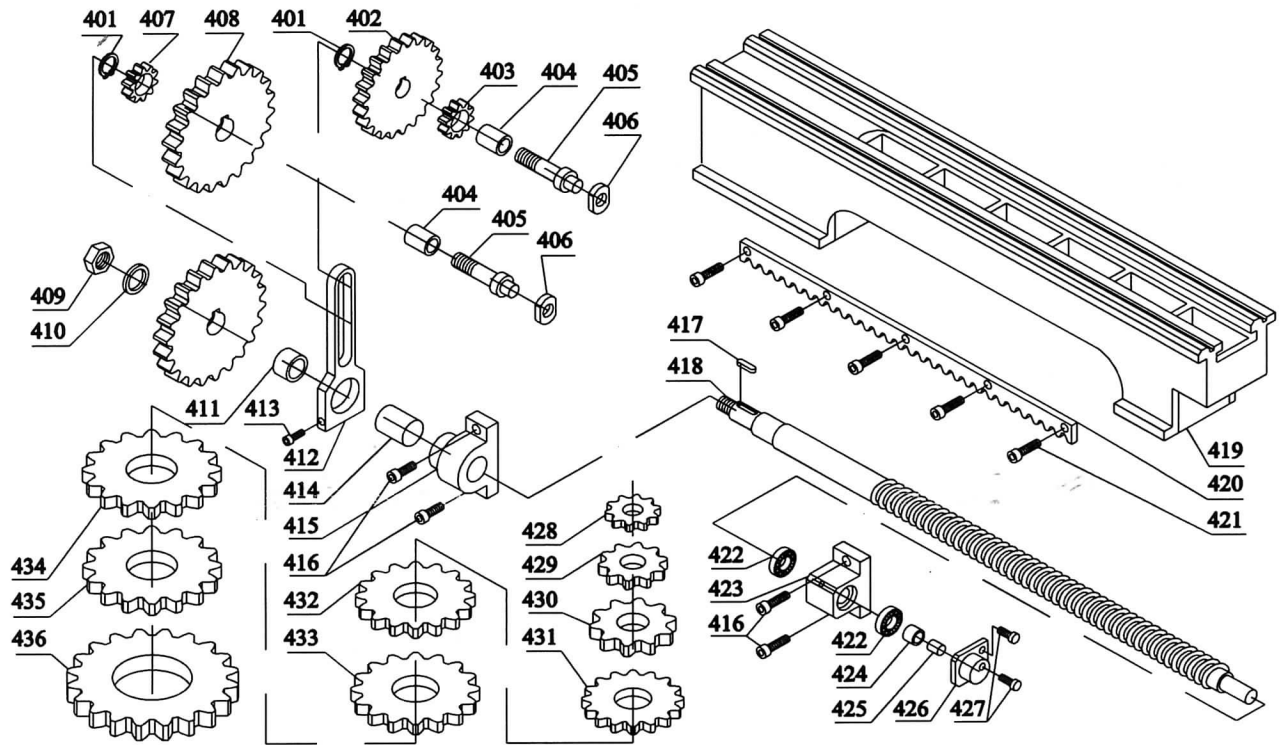
WM180V LATHE - Apron Assembly



Parts No.	Description	Specification	Qty
301	Screw	M8X8	1
302	Nut	M8	1
303	Handwheel		1
304	Spring		1
305	Screw	M5x10	2
306	Collar		1
307	Bracket		1
308	Screw	M8x25	2
309	Screw	M5X8	1
310	Apron		1
311	Key	A3x3x8	1
312	Gear Shaft	14T	1
313	Shaft		1
314	Gear	44/21T	1
315	Screw	M4x35	1
316	Nut	M4	1
317	Half Nut		1
318	Pin	φ4x10	1
319	Screw	M4x10	2
320	Block		1
321	Screw	M6x8	1
322	Spring	0.6xφ3.5x12	1
323	Ball	φ4.5	2
324	Screw	M4x12	4
325	Nut	M4	1
326	Shaft		1
327	Pin	φ3x30	2
328	Hand Base		1
329	Screw	M5X6	1
330	Handle		1
331	Handle		1

Parts No.	Description	Specification	Qty
317	Half Nut		1
318	Pin	φ4x10	1
319	Screw	M4x10	2
320	Block		1
321	Screw	M6x8	1
322	Spring	0.6xφ3.5x12	1
323	Ball	φ4.5	2
324	Screw	M4x12	4
325	Nut	M4	1
326	Shaft		1
327	Pin	φ3x30	2
328	Hand Base		1
329	Screw	M5X6	1
330	Handle		1
331	Handle		1

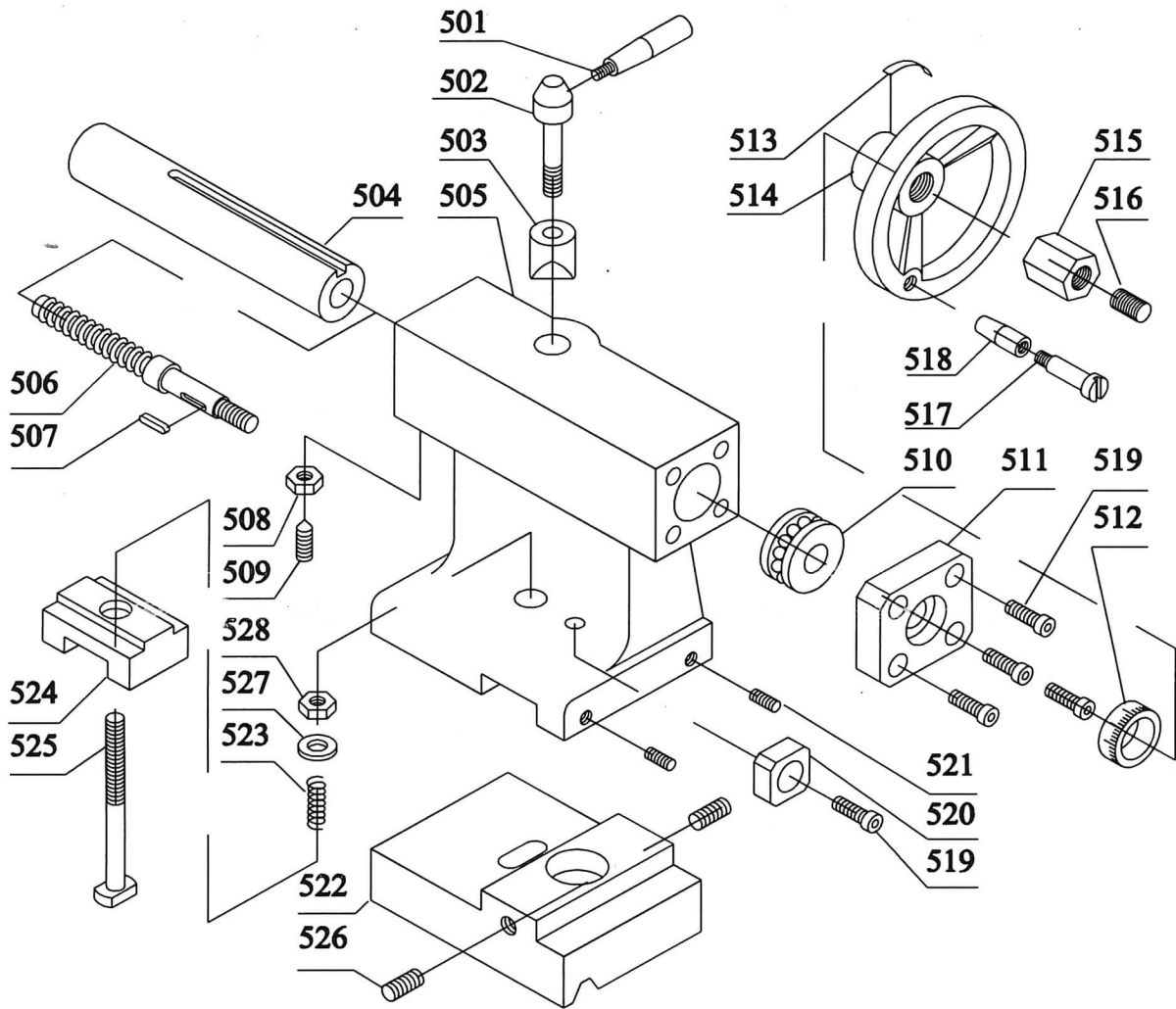
WM180V LATHE - Change Gears, Bed Assembly



Parts No.	Description	Specification	Qty
401	Spring Ring		2
402	Gear	60T	1
403	Gear	20T	1
404	Bush		1
405	Bolt		1
406	Nut	M8	1
407	Gear	24T	1
408	Gear	80T	1
409	Nut	M10	1
410	Washer	10	1
411	Bush		1
412	Frame		1
413	Screw	M6x35	1
414	Bush		1
415	Left Support		1
416	Screw	M6x14	2
417	Key	A3x3x16	1
418	Lead Screw		1

Parts No.	Description	Specification	Qty
419	Bed		1
420	Rack		1
421	Screw	M2X12	5
422	Bearing	51100	2
423	Right Support		1
424	Nut		1
425	Screw	M8X6	1
426	Cover		1
427	Screw	M4x12	2
428	Gear	25T	1
429	Gear	30T	1
430	Gear	33T	1
431	Gear	35T	1
432	Gear	40T	1
433	Gear	45T	1
434	Gear	50T	1
435	Gear	52T	1
436	Gear	66T	1

WM180V LATHE - Tailstock Assembly



Parts No.	Description	Specification	Qty
501	Handle		1
502	Handle Base		1
503	Lock Base		1
504	Sleeve		1
505	Tailstock		1
506	Lead Screw		1
507	Key	A3x3x8	1
508	Nut	M6	1
509	Screw	M6x14	1
510	Bearing	51100	1
511	Housing		1
512	Collar		1
513	Spring		1
514	Handwheel		1

Parts No.	Description	Specification	Qty
515	Nut	M8	1
516	Screw	M8x6	1
517	Handle Screw		1
518	Handle Sleeve		1
519	Screw	M5X12	1
520	Adjustment Block		1
521	Screw	M6X12	1
522	Base		1
523	Spring		1
524	Clamping Plate		1
525	Bolt	M10x70	1
526	Screw	M6x16	2
527	Washer	φ10	1
528	Nut	M10	1

WM180V

WM180V

Test Record

I. Visual Inspection	OK	IV. Electrical Inspection	OK
1. Correct label	<input checked="" type="checkbox"/>	1. Connection tightened	<input checked="" type="checkbox"/>
2. Painting damage	<input checked="" type="checkbox"/>	2. Correct electrical elements	<input checked="" type="checkbox"/>
3. Corrosion damage	<input checked="" type="checkbox"/>	3. Earth resistance	<input checked="" type="checkbox"/>
4. Screw tightened	<input checked="" type="checkbox"/>	4. Insulation resistance	<input checked="" type="checkbox"/>
II. Mechanical Inspection	OK	5. Tolerance voltage test	<input checked="" type="checkbox"/>
1. Function of top slide	<input checked="" type="checkbox"/>	6. Function of F/R switch	<input checked="" type="checkbox"/>
2. Function of cross slide	<input checked="" type="checkbox"/>	7. Emergency stop switch	<input checked="" type="checkbox"/>
3. Function of carriage	<input checked="" type="checkbox"/>	8. Speed control knob	<input checked="" type="checkbox"/>
4. Function of tailstock	<input checked="" type="checkbox"/>	9. Electrical control board	<input checked="" type="checkbox"/>
5. Lubrication for sliding parts	<input checked="" type="checkbox"/>	10. Function of motor	<input checked="" type="checkbox"/>
6. Parallelism of pulleys	<input checked="" type="checkbox"/>		<input checked="" type="checkbox"/>
7. Spindle adjustment	<input checked="" type="checkbox"/>		<input checked="" type="checkbox"/>
III. Active Inspection	OK	V. Final Inspection	OK
1. Function of apron	<input checked="" type="checkbox"/>	1. Correct accessories	<input checked="" type="checkbox"/>
2. Running test	<input checked="" type="checkbox"/>	2. Correct documents	<input checked="" type="checkbox"/>
3. Noise test	<input checked="" type="checkbox"/>	3. Machine cleanness	<input checked="" type="checkbox"/>
4. Function of change gear	<input checked="" type="checkbox"/>	4. Credibility antirust	<input checked="" type="checkbox"/>
5. Cutting test	<input checked="" type="checkbox"/>	5. Correct mark	<input checked="" type="checkbox"/>
Remark:			

Serial No.

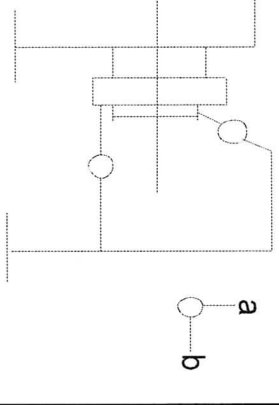
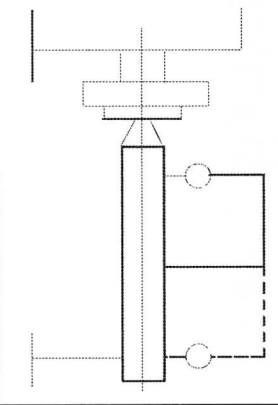
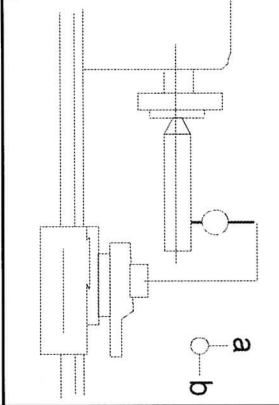
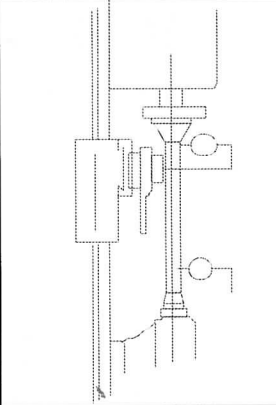
1809155

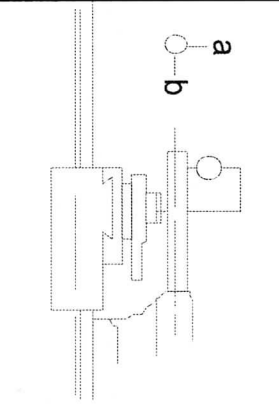
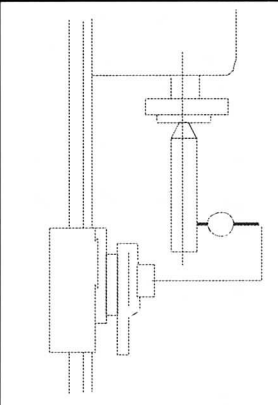
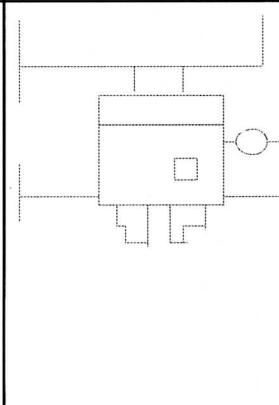
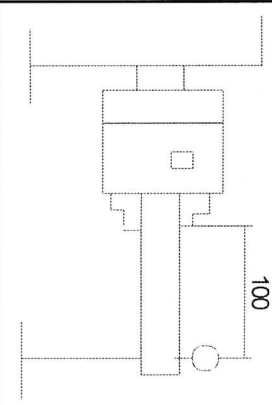
Date

06.2009

Inspector

W.G. Q

NO.	INSPECTION ITEM	DIAGRAM	TOLERANCE(mm)	
			PERMISSIBLE	ACTUAL
1	Runout of spindle nose a radial plane b face plane		a 0.01 b 0.015	<i>0.01 0.015</i>
2	Runout of spindle taper hole a spindle nose b 250 distance		a 0.015 b 0.03	<i>0.015 0.03</i>
3	Parallelism of center line of spindle to carriage movement a in horizontal plane b in vertical plane		a 0.03/250 b 0.03/250	<i>0.03 0.03</i>
4	Difference between two centers (higher at tailstock)		0.02-0.05	<i>0.05</i>

NO.	INSPECTION ITEM	DIAGRAM	TOLERANCE(mm)	
			PERMISSIBLE	ACTUAL
5	Parallelism of tailstock quill to carriage movement a in horizontal plane b in vertical plane		a 0.025/50 b 0.015/50	<i>0.025 0.015</i>
6	Parallelism of center line of spindle to top slide movement		0.04/50	<i>0.03</i>
7	Radial runout of chuck		0.04	<i>0.04</i>
8	Radial runout of \varnothing 20 test bar		0.08/100	<i>0.08</i>